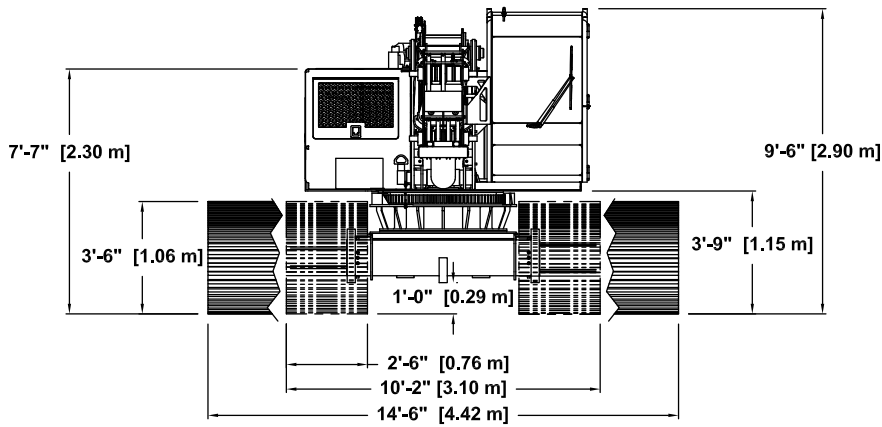
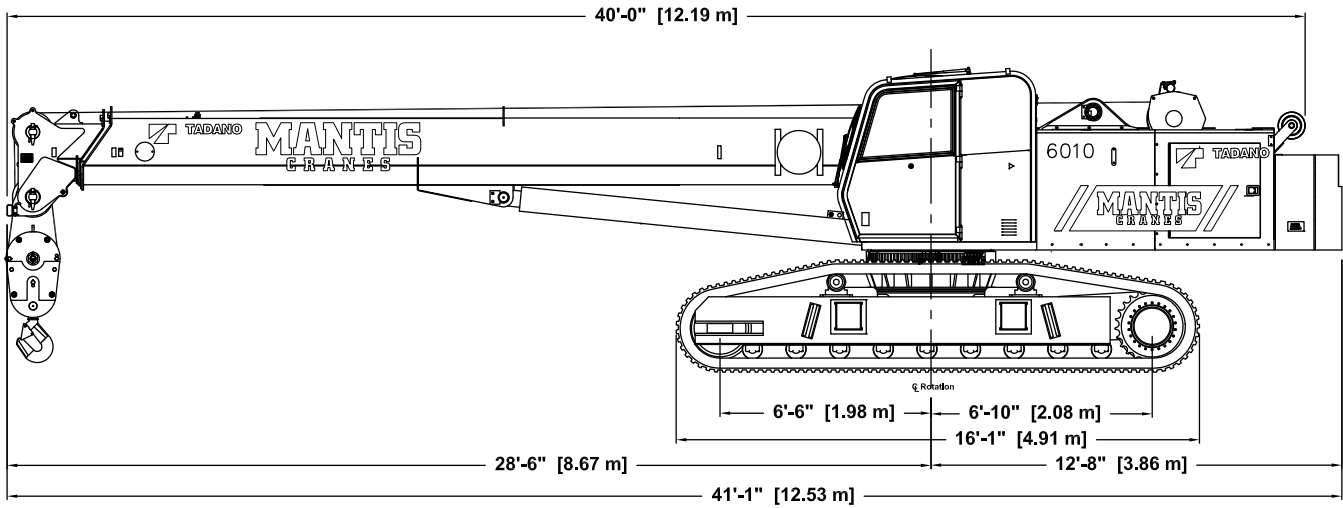


DIMENSIONS

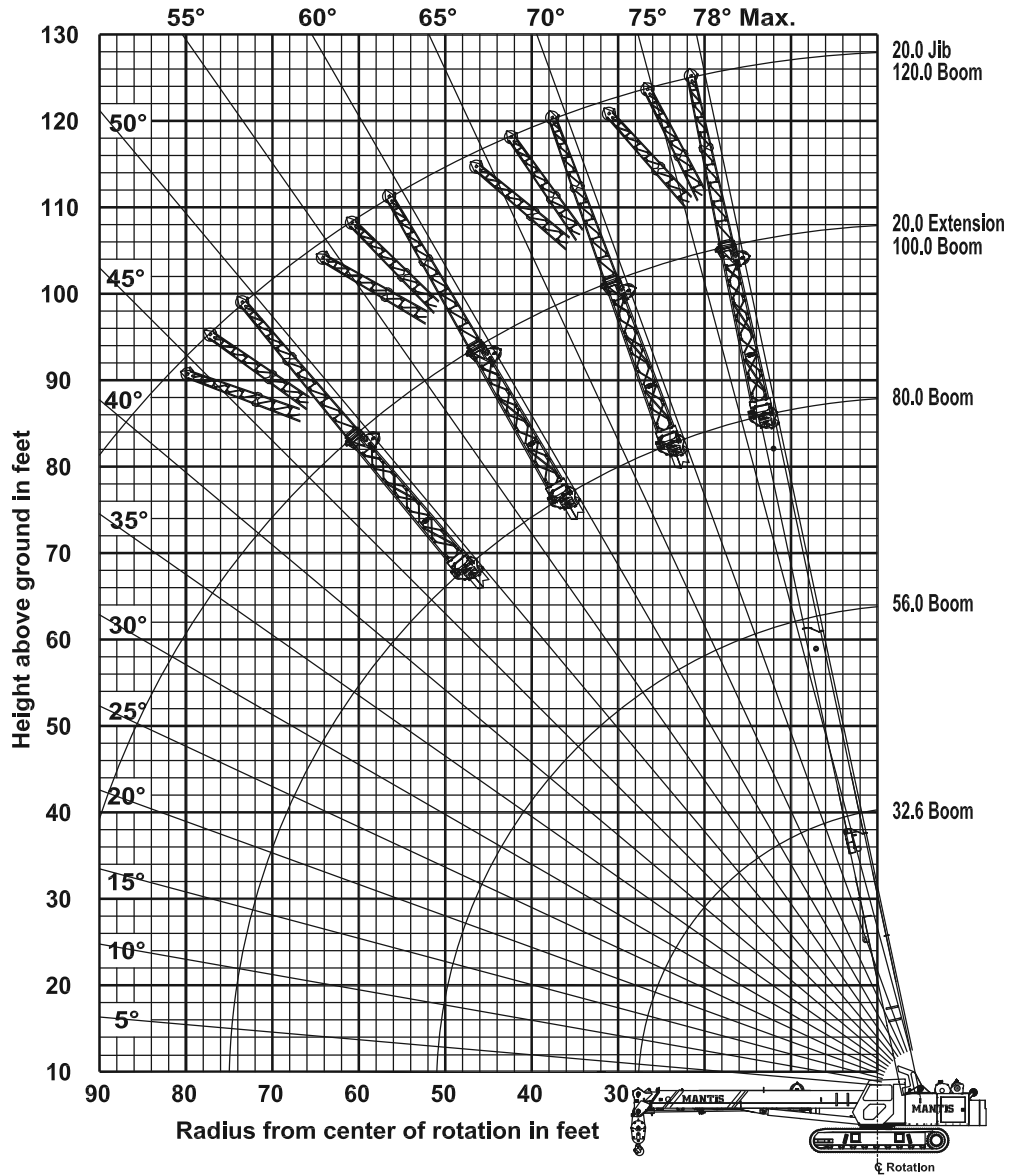
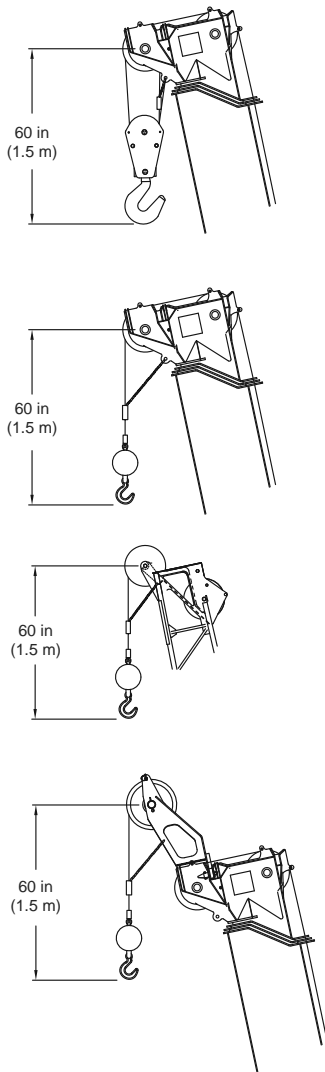


WIDTHS, WEIGHTS, AND GROUND PRESSURES*

| Shoe Width | Overall Width | | Area | Ground Pressure | Working Weight |
|-------------------|------------------------|------------------------|---|--|--------------------------|
| | Retracted | Extended | | | |
| 18 in (457 mm) | 8 ft 6 in (2.59 m) | 13 ft 6 in (4.11 m) | 5,760 in ² (3.72 m ²) | 10.5 psi (0.74 kg/cm ²) | 60,505 lb (27,445 kg) |
| 24 in (609 mm) | 9 ft 8 in (2.95 m) | 14 ft 0 in (4.27 m) | 7,680 in ² (4.95 m ²) | 8.0 psi (0.56 kg/cm ²) | 61,665 lb (27,971 kg) |
| 30 in (762 mm) | 10 ft 2 in (3.10 m) | 14 ft 6 in (4.42 m) | 9,600 in ² (6.19 m ²) | 6.5 psi (0.46 kg/cm ²) | 62,820 lb (28,495 kg) |

*Crane equipped with: 80 ft boom, extension, jib, 30 ton hook block, and 7 ton headache ball

80 FT MAIN BOOM, 20 FT EXTENSION & 20 FT JIB



CAUTION: THESE CHART VALUES ARE ONLY A GUIDE AND MUST NOT BE USED TO OPERATE THE CRANE. USE ONLY THE IN CAB LOAD CHARTS AND OPERATORS MANUAL FURNISHED WITH THE CRANE.

LOAD CHARTS

360 DEGREE RATING - LOADS IN lb x 1000

| MAIN BOOM with TRACKS FULLY EXTENDED | | | | | | | | | | | | | | | |
|--------------------------------------|-----------------------|-------|-------|-------|-------|-------|-------|-----------------------|-------|-------|-------|-------|-------|-------|-------------|
| 11,500 lb COUNTERWEIGHT | | | | | | | | ZERO COUNTERWEIGHT | | | | | | | |
| RADIUS (ft) | MAIN BOOM LENGTH (ft) | | | | | | | MAIN BOOM LENGTH (ft) | | | | | | | RADIUS (ft) |
| | 33.0 | 41.0 | 48.0 | 56.0 | 64.0 | 72.0 | 80.0 | 33.0 | 41.0 | 48.0 | 56.0 | 64.0 | 72.0 | 80.0 | |
| 8 | 60.0 | 48.0 | 47.6* | | | | | 60.0 | 48.0 | 47.6* | | | | | 8 |
| | 71.8° | 75.5° | 77.9° | | | | | 71.8° | 75.5° | 77.9° | | | | | |
| 10 | 60.0 | 48.0 | 47.6 | 44.9* | | | | 53.0 | 48.0 | 47.6 | 44.9* | | | | 10 |
| | 67.9° | 72.5° | 75.5° | 77.6° | | | | 67.9° | 72.5° | 75.5° | 77.6° | | | | |
| 12 | 56.0 | 48.0 | 47.6 | 40.5 | 34.2* | | | 35.4 | 35.7 | 35.9 | 36.0 | 34.2* | | | 12 |
| | 63.9° | 69.4° | 73.0° | 75.4° | 77.3° | | | 63.9° | 69.4° | 73.0° | 75.4° | 77.3° | | | |
| 15 | 38.5 | 38.7 | 38.9 | 35.4 | 29.8 | 26.0 | 22.8* | 23.0 | 25.3 | 23.5 | 23.6 | 23.7 | 22.8* | | 15 |
| | 57.5° | 64.7° | 69.1° | 72.2° | 74.5° | 76.2° | 77.6° | 57.5° | 64.7° | 69.1° | 72.2° | 74.5° | 76.2° | 77.6° | |
| 20 | 24.0 | 24.2 | 24.3 | 24.4 | 24.0 | 21.3 | 18.7 | 13.9 | 14.1 | 14.2 | 14.3 | 14.4 | 14.4 | 14.5 | 20 |
| | 45.5° | 56.2° | 62.5° | 66.7° | 69.7° | 72.1° | 73.9° | 45.5° | 56.2° | 62.5° | 66.7° | 69.7° | 72.1° | 73.9° | |
| 25 | 16.9 | 17.2 | 17.3 | 17.3 | 17.4 | 17.0 | 15.8 | 9.4 | 9.6 | 9.8 | 9.9 | 9.9 | 10.0 | 10.0 | 25 |
| | 29.0° | 46.6° | 55.3° | 60.8° | 64.8° | 67.8° | 70.1° | 29.0° | 46.6° | 55.3° | 60.8° | 64.8° | 67.8° | 70.1° | |
| 30 | | 13.0 | 13.1 | 13.2 | 13.2 | 13.3 | 13.0 | | 7.0 | 7.1 | 7.2 | 7.3 | 7.3 | 7.3 | 30 |
| | | 34.7° | 47.3° | 54.6° | 59.6° | 63.3° | 66.2° | | 34.7° | 47.3° | 54.6° | 59.6° | 63.3° | 66.2° | |
| 35 | | 10.2 | 10.3 | 10.4 | 10.5 | 10.5 | 10.5 | | 5.2 | 5.4 | 5.5 | 5.5 | 5.6 | 5.6 | 35 |
| | | 14.5° | 38.0° | 47.8° | 54.1° | 58.7° | 62.1° | | 14.5° | 38.0° | 47.8° | 54.1° | 58.7° | 62.1° | |
| 40 | | | 8.4 | 8.5 | 8.5 | 8.5 | 8.6 | | | 4.1 | 4.2 | 4.3 | 4.3 | 4.4 | 40 |
| | | | 25.5° | 40.1° | 48.2° | 53.8° | 57.9° | | | 25.5° | 40.1° | 48.2° | 53.8° | 57.9° | |
| 45 | | | | 7.0 | 7.1 | 7.1 | 7.1 | | | | 3.3 | 3.4 | 3.4 | 3.4 | 45 |
| | | | | 30.6° | 41.6° | 48.5° | 53.4° | | | | 30.6° | 41.6° | 48.5° | 53.4° | |
| 50 | | | | 5.9 | 5.9 | 6.0 | 6.0 | | | | 2.6 | 2.7 | 2.7 | 2.7 | 50 |
| | | | | 15.8° | 33.8° | 42.7° | 48.7° | | | | 15.8° | 33.8° | 42.7° | 48.7° | |
| 55 | | | | | 5.0 | 5.1 | 5.1 | | | | | 2.1 | 2.1 | 2.1 | 55 |
| | | | | | 23.7° | 36.1° | 43.5° | | | | | 23.7° | 36.1° | 43.5° | |
| 60 | | | | | | 4.3 | 4.4 | | | | | | 1.6 | 1.7 | 60 |
| | | | | | | 28.1° | 37.8° | | | | | | 28.1° | 37.8° | |
| 65 | | | | | | 3.7 | 3.7 | | | | | | 1.3 | 1.3 | 65 |
| | | | | | | 16.4° | 31.1° | | | | | | 16.4° | 31.1° | |
| 70 | | | | | | | 3.2 | | | | | | | 1.0 | 70 |
| | | | | | | | 22.6° | | | | | | | 22.6° | |
| 75 | | | | | | | 2.8 | | | | | | | 0.7 | 75 |
| | | | | | | | 4.2° | | | | | | | 4.2° | |

* Capacity based on maximum obtainable boom angle.
 ° Boom angles are stated in degrees.

NOTE: Capacities appearing above the bold line are based on structural strength; tipping should not be relied upon as a capacity limitation.
 Capacities appearing below the bold line are based on stability and do not exceed 75% of tipping.

CAUTION: THESE CHART VALUES ARE ONLY A GUIDE AND MUST NOT BE USED TO OPERATE THE CRANE.
 USE ONLY THE IN CAB LOAD CHARTS AND OPERATORS MANUAL FURNISHED WITH THE CRANE.

LOAD CHARTS

360 DEGREE RATING - LOADS IN lb x 1000

| MAIN BOOM with TRACKS FULLY RETRACTED | | | |
|--|-----------------------|---------|-------------|
| 11,500 lb COUNTERWEIGHT | | | |
| RADIUS (ft) | MAIN BOOM LENGTH (ft) | | RADIUS (ft) |
| | 33.0 | Over 33 | |
| 8 | 60.0 | 47.6 | 8 |
| 10 | 49.6 | 44.9 | 10 |
| 12 | 36.3 | 34.2 | 12 |
| 14 | 25.9 | 25.9 | 14 |
| 16 | 21.6 | 21.6 | 16 |
| 18 | 17.9 | 17.9 | 18 |
| 20 | 15.0 | 15.0 | 20 |
| 22 | 12.7 | 12.7 | 22 |
| 24 | 11.0 | 11.0 | 24 |
| 26 | 9.6 | 9.6 | 26 |
| 28 | 8.5 | 8.5 | 28 |
| 30 | 7.7 | 7.7 | 30 |
| 32 | 7.0 | 7.0 | 32 |
| 34 | 6.3 | 6.3 | 34 |
| 36 | 5.8 | 5.8 | 36 |
| 38 | 5.4 | 5.4 | 38 |
| 40 | 5.0 | 5.0 | 40 |
| 42 | 4.6 | 4.6 | 42 |
| 44 | 4.3 | 4.3 | 44 |
| 46 | 4.0 | 4.0 | 46 |
| 48 | 3.7 | 3.7 | 48 |
| 50 | 3.4 | 3.4 | 50 |
| 52 | 3.2 | 3.2 | 52 |
| 54 | 2.9 | 2.9 | 54 |
| 56 | 2.7 | 2.7 | 56 |
| 58 | 2.5 | 2.5 | 58 |
| 60 | 2.3 | 2.3 | 60 |
| 62 | 2.1 | 2.1 | 62 |
| 64 | 1.9 | 1.9 | 64 |
| 66 | 1.7 | 1.7 | 66 |
| 68 | 1.6 | 1.6 | 68 |
| 70 | 1.4 | 1.4 | 70 |

| 20' EXTENSION & 20' JIB | | | | | | |
|------------------------------------|------------------------|-----------|-------------------|-----|-----|------------|
| with TRACKS FULLY EXTENDED | | | | | | |
| 11,500 lb COUNTERWEIGHT | | | | | | |
| Boom Angle | 20' EXTENSION | | 20' JIB | | | Boom Angle |
| | Total Boom Length (ft) | | Jib Offset Angles | | | |
| | 53.0 to 91.9 | 92.0 to ? | 0° | 15° | 30° | |
| 78° | 12.4 | 12.4 | 6.6 | 4.0 | 2.2 | 78° |
| 75° | 10.5 | 10.5 | 6.3 | 4.0 | 2.1 | 75° |
| 72° | 9.3 | 9.3 | 5.6 | 3.5 | 2.0 | 72° |
| 70° | 8.6 | 8.6 | 5.1 | 3.2 | 1.9 | 70° |
| 68° | 8.0 | 8.0 | 4.6 | 3.0 | 1.8 | 68° |
| 65° | 7.2 | 6.8 | 4.2 | 2.8 | 1.8 | 65° |
| 62° | 6.6 | 5.7 | 3.9 | 2.6 | 1.7 | 62° |
| 60° | 6.2 | 4.9 | 3.5 | 2.4 | 1.7 | 60° |
| 58° | 5.9 | 4.3 | 3.2 | 1.9 | 1.4 | 58° |
| 55° | 5.5 | 3.7 | 2.6 | 1.3 | 1.0 | 55° |
| 52° | 5.2 | 3.2 | 2.0 | 0.6 | 0.4 | 52° |
| 50° | 5.0 | 2.9 | 1.5 | 0.3 | 0.2 | 50° |
| 48° | 4.4 | 2.6 | | | | 48° |
| 45° | 4.2 | 2.3 | | | | 45° |

| ZERO DEGREE BOOM ANGLE | | | |
|-----------------------------------|-------------|---------------------|------------------|
| MAXIMUM CAPACITY | | | |
| with TRACKS FULLY EXTENDED | | | |
| 11,500 lb COUNTERWEIGHT | | | |
| BOOM LENGTH (ft) | RADIUS (ft) | LOAD (lbs) (x 1000) | BOOM LENGTH (ft) |
| 32.7 | 27.7 | 15.4 | 32.7 |
| 40.6 | 35.6 | 10.0 | 40.6 |
| 48.4 | 43.4 | 7.7 | 48.4 |
| 56.3 | 51.3 | 5.7 | 56.3 |
| 64.3 | 59.2 | 4.6 | 64.3 |
| 71.1 | 67.1 | 3.5 | 71.1 |
| 80.0 | 75.0 | 2.8 | 80.0 |

| WEIGHT REDUCTIONS | |
|--|-----------|
| LOAD HANDLING DEVICES | |
| HOOKBLOCK: 30 Ton - 3 Sheave | 760 lbs |
| OVERHAUL BALL: 7 Ton w/Swivel | 162 lbs |
| OPTIONAL HANDLING DEVICES | |
| 20 ft. Extension - Stowed** | 320 lbs |
| 20 ft. Extension - Erected** | 1,600 lbs |
| 20 ft. Ext. and 20 ft. Jib - Stowed** | 450 lbs |
| 20 ft. Ext. and 20 ft. Jib - Erected** | 3,100 lbs |
| Auxillary Nose Sheave** | 160 lbs |

** Reduction of main boom capacities.

NOTE: Capacities appearing above the bold line are based on structural strength; tipping should not be relied upon as a capacity limitation. Capacities appearing below the bold line are based on stability and do not exceed 75% of tipping.

CAUTION: THESE CHART VALUES ARE ONLY A GUIDE AND MUST NOT BE USED TO OPERATE THE CRANE. USE ONLY THE IN CAB LOAD CHARTS AND OPERATORS MANUAL FURNISHED WITH THE CRANE.

LOAD CHARTS

360 DEGREE RATING - LOADS IN lb x 1000

| AUXILIARY NOSE SHEAVE with TRACKS FULLY EXTENDED | | | | | | | | | | | | | | | |
|--|-----------------------|-------|-------|-------|-------|-------|-------|-----------------------|-------|-------|-------|-------|-------|-------|-------------|
| 11,500 lb COUNTERWEIGHT | | | | | | | | ZERO COUNTERWEIGHT | | | | | | | |
| RADIUS (ft) | MAIN BOOM LENGTH (ft) | | | | | | | MAIN BOOM LENGTH (ft) | | | | | | | RADIUS (ft) |
| | 33.0 | 41.0 | 48.0 | 56.0 | 64.0 | 72.0 | 80.0 | 33.0 | 41.0 | 48.0 | 56.0 | 64.0 | 72.0 | 80.0 | |
| 8 | 6.0 | 6.0 | 6.0 | | | | | 6.0 | 6.0 | 6.0 | | | | | 8 |
| | 71.8° | 75.5° | 77.9° | | | | | 71.8° | 75.5° | 77.9° | | | | | |
| 10 | 6.0 | 6.0 | 6.0 | 6.0 | | | | 6.0 | 6.0 | 6.0 | 6.0 | | | | 10 |
| | 67.9° | 72.5° | 75.5° | 77.6° | | | | 67.9° | 72.5° | 75.5° | 77.6° | | | | |
| 12 | 6.0 | 6.0 | 6.0 | 6.0 | 6.0 | | | 6.0 | 6.0 | 6.0 | 6.0 | 6.0 | | | 12 |
| | 63.9° | 69.4° | 73.0° | 75.4° | 77.3° | | | 63.9° | 69.4° | 73.0° | 75.4° | 77.3° | | | |
| 15 | 6.0 | 6.0 | 6.0 | 6.0 | 6.0 | 6.0 | 6.0 | 6.0 | 6.0 | 6.0 | 6.0 | 6.0 | 6.0 | 6.0 | 15 |
| | 57.5° | 64.7° | 69.1° | 72.2° | 74.5° | 76.2° | 77.6° | 57.5° | 64.7° | 69.1° | 72.2° | 74.5° | 76.2° | 77.6° | |
| 20 | 6.0 | 6.0 | 6.0 | 6.0 | 6.0 | 6.0 | 6.0 | 6.0 | 6.0 | 6.0 | 6.0 | 6.0 | 6.0 | 6.0 | 20 |
| | 45.5° | 56.2° | 62.5° | 66.7° | 69.7° | 72.1° | 73.9° | 45.5° | 56.2° | 62.5° | 66.7° | 69.7° | 72.1° | 73.9° | |
| 25 | 6.0 | 6.0 | 6.0 | 6.0 | 6.0 | 6.0 | 6.0 | 6.0 | 6.0 | 6.0 | 6.0 | 6.0 | 6.0 | 6.0 | 25 |
| | 29.0° | 46.6° | 55.3° | 60.8° | 64.8° | 67.8° | 70.1° | 29.0° | 46.6° | 55.3° | 60.8° | 64.8° | 67.8° | 70.1° | |
| 30 | | 6.0 | 6.0 | 6.0 | 6.0 | 6.0 | 6.0 | | 6.0 | 6.0 | 6.0 | 6.0 | 6.0 | 6.0 | 30 |
| | | 34.7° | 47.3° | 54.6° | 59.6° | 63.3° | 66.2° | | 34.7° | 47.3° | 54.6° | 59.6° | 63.3° | 66.2° | |
| 35 | | 6.0 | 6.0 | 6.0 | 6.0 | 6.0 | 6.0 | | 5.2 | 5.4 | 5.5 | 5.5 | 5.6 | 5.6 | 35 |
| | | 14.5° | 38.0° | 47.8° | 54.1° | 58.7° | 62.1° | | 14.5° | 38.0° | 47.8° | 54.1° | 58.7° | 62.1° | |
| 40 | | | 6.0 | 6.0 | 6.0 | 6.0 | 6.0 | | | 4.1 | 4.2 | 4.3 | 4.3 | 4.4 | 40 |
| | | | 25.5° | 40.1° | 48.2° | 53.8° | 57.9° | | | 25.5° | 40.1° | 48.2° | 53.8° | 57.9° | |
| 45 | | | | 6.0 | 6.0 | 6.0 | 6.0 | | | | 3.3 | 3.4 | 3.4 | 3.4 | 45 |
| | | | | 30.6° | 41.6° | 48.5° | 53.4° | | | | 30.6° | 41.6° | 48.5° | 53.4° | |
| 50 | | | | 5.4 | 5.5 | 6.0 | 6.0 | | | | 2.6 | 2.7 | 2.7 | 2.7 | 50 |
| | | | | 15.8° | 33.8° | 42.7° | 48.7° | | | | 15.8° | 33.8° | 42.7° | 48.7° | |
| 55 | | | | | 4.6 | 4.7 | 4.7 | | | | | 2.1 | 2.1 | 2.1 | 55 |
| | | | | | 23.7° | 36.1° | 43.5° | | | | | 23.7° | 36.1° | 43.5° | |
| 60 | | | | | | 4.0 | 4.0 | | | | | | 1.6 | 1.7 | 60 |
| | | | | | | 28.1° | 37.8° | | | | | | 28.1° | 37.8° | |
| 65 | | | | | | 3.4 | 3.4 | | | | | | 1.3 | 1.3 | 65 |
| | | | | | | 16.4° | 31.1° | | | | | | 16.4° | 31.1° | |
| 70 | | | | | | | 2.9 | | | | | | | 1.0 | 70 |
| | | | | | | | 22.6° | | | | | | | 22.6° | |
| 75 | | | | | | | 2.5 | | | | | | | 0.7 | 75 |
| | | | | | | | 4.2° | | | | | | | 4.2° | |

° Boom angles are stated in degrees.

NOTE: Capacities appearing above the bold line are based on structural strength; tipping should not be relied upon as a capacity limitation. Capacities appearing below the bold line are based on stability and do not exceed 75% of tipping.

CAUTION: THESE CHART VALUES ARE ONLY A GUIDE AND MUST NOT BE USED TO OPERATE THE CRANE. USE ONLY THE IN CAB LOAD CHARTS AND OPERATORS MANUAL FURNISHED WITH THE CRANE.